

**IP LICENSING/ SALE PROPOSAL**

**PORTABLE, FOLDABLE SOCKET-MOUNTED  
LIGHTING DEVICE**

**Patent Applicant: APU DAS**

**Patent Appl Number: 1650/CHE/2015**



## TECHNICAL FIELD OF INVENTION

This invention relates to a portable light unit that allows light to pass through a particular portion, and to reflect in the light unit so as to illuminate a room/ area.

## PATENT APPLICATION STATUS

**Patent Appl Number: 1650/CHE/2015**

**Status:** Patent pending in India

## INTRODUCTION

The present invention is portable, foldable, socket-mounted lighting device that provides illumination of light through reflection.

The device is capable of being coupled to a conventional electrical wall socket for physical support thereon.

The device can have coloured plastic body or reflective aluminium body. While plastic body device can be used for coloured diffused lighting, the shiny and opaque aluminium body, with no lateral loss of light provides a more concentrated beam of light, which when directed towards the ceiling provides much brighter reflected indirect lighting and soft illumination of the room



**DEVICE WITH  
COLOURED  
PLASTIC BODY**



**DEVICE WITH  
REFLECTIVE  
ALUMINIUM BODY**

## NEED FOR PORTABLE, FOLDABLE, MANEUVERABLE, LOW COST LIGHTING DEVICE

- Most lighting devices currently under use illuminate an entire room
- Those that do illuminate a specific location in a room, have been used have limitations:
  - They are fixed to a location
  - They are bulky, therefore lack portability
  - They cannot easily project the light source to a particular location
  - The lighting solution is relatively inefficient and costly to operate for sustained period
  - The light assemblies' manufacturing cost are significantly high
- A need exists for a portable, foldable lighting device wherein the light can be projected as desired to illuminate a room or a specific area in a room

## CURRENT LIGHTING DEVICES



## ABOUT THE INVENTION

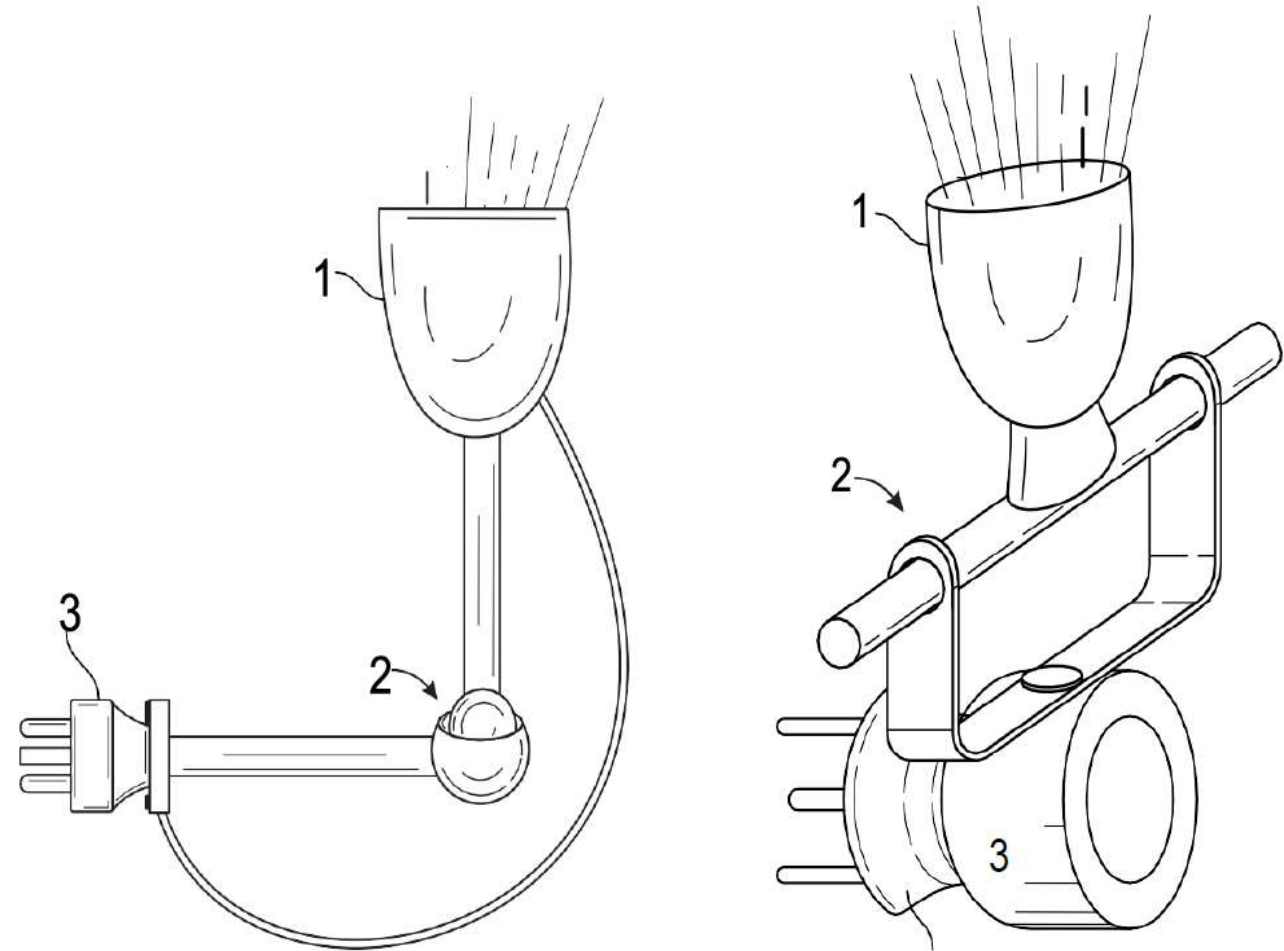
The invention is a socket-mounted lighting device that permits light sourcing devices to project light to particular location/ direction and such light then reflects and illuminates the entire dark room. The invention also includes mechanisms for easily varying the angular position of the arms extending from a vertical base and furthermore having mechanisms for providing elbows in such light holding arms, whereby the light can easily, quickly and dependably be positioned in a desired position to illuminate particular portion of the room.

## WORKING MECHANISM OF THE INVENTION

The invention is a socket-mounted or wall mounted reflective lighting device that can be directed to project light in a desired location with the use of swivel joints and ball joint or or a Double Swiveling Pivot existing in the stand.

The lead wires are rigid yet flexible under finger pressure.

## NON LIMITING (EXEMPLARY) EMBODIMENTS OF THE INVENTION



## POSSIBLE USAGE AND APPLICATIONS OF THE INVENTION

Device can be easily used in a room where  
diffused, low and/or directed light is required:

- Side Lamp
- Night Lamp
- Reading Lamp
- Dinner Twilight
- Relaxation Lamp
- Meditation Lamp



UNLIT DEVICE IN AN UNLIT ROOM WITH NATURAL LIGHT FOLDED "UP"



LIT DEVICE IN AN UNLIT ROOM WITH NATURAL LIGHT FOLDED "SIDEWAYS"

## EXPECTATIONS

- Patent Applicant is interested in sale of IP
- Patent Applicant wishes to offer non-exclusive Licensing Rights.

## CONTACT DETAILS

IIPRD Consulting

Arindam Purkayastha

Email: [commercialization@iiprd.com](mailto:commercialization@iiprd.com) | [arindam@iiprd.com](mailto:arindam@iiprd.com)

Phone: +91-120- 4296878; +91-9811542307

Address: E-13, UPSIDC, Site-IV, Behind-Grand Venice, Kasna Road,  
Greater Noida - 201310, UP, National Capital Region, India.