



IP LICENSING & COMMERCIALISATION

HOLDER FOR MARKING DEVICES

Patent Application No. - 202321002927

Patent No. - 530975

www.iiprd.com

www.khuranaandkhurana.com

For more details click below:

www.iiprd.com/ip-licensing-services/

CONTENTS

01

MODEL AND
SPECIFICATIONS

02

WORKING OF
HOLDER FOR MARKING
DEVICES

03

MARKET
OPPORTUNITY

04

WHY
HOLDER FOR MARKING
DEVICES

05

GOAL

MODEL

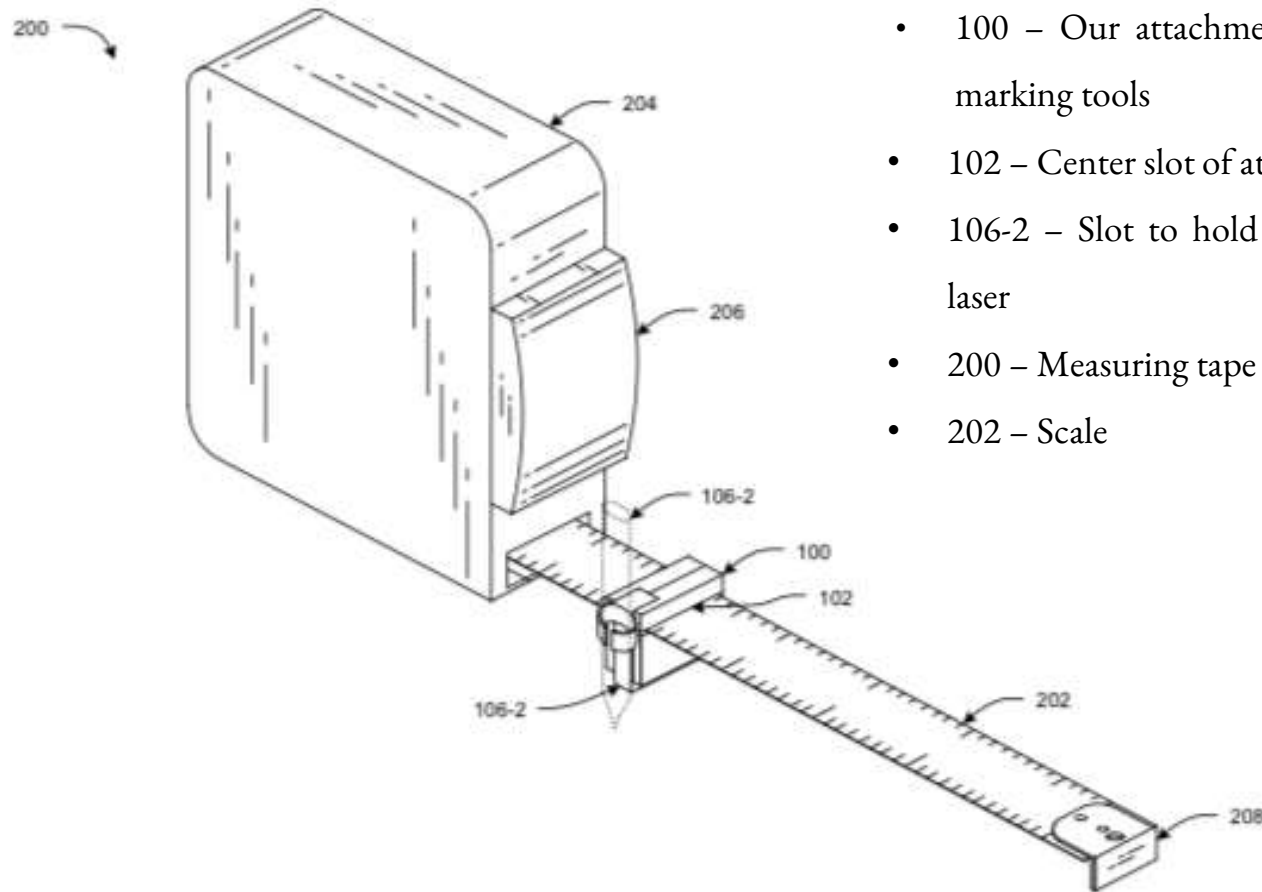
 SIMPLIFIED

 COMPATIBLE

 FUNCTIONAL

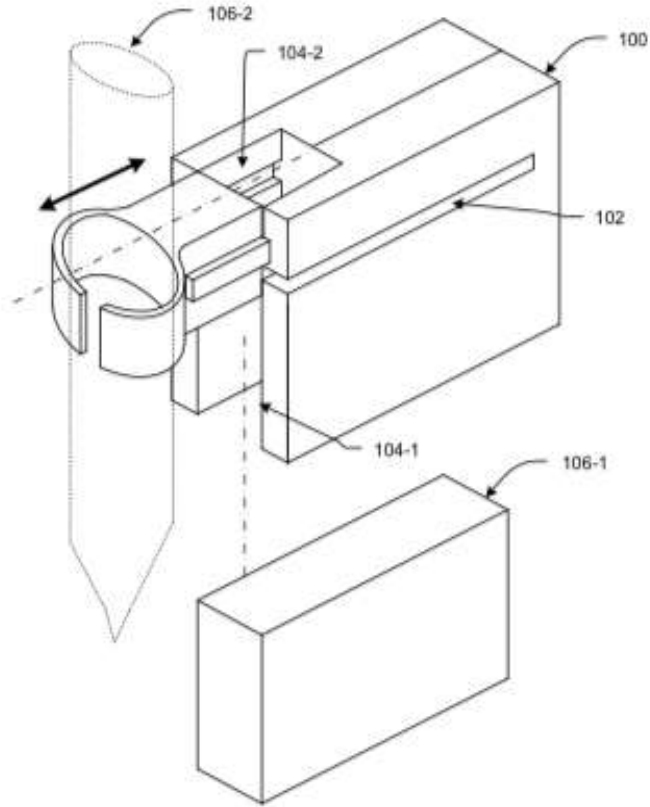
- The proposed attachment is designed to be able to hold all measuring tools simultaneously
- Any steel measuring tape will work with this attachment
- This tool can be used to create parallel and perpendicular lines without a ruler or right angle
- This attachment can very easily slide over the entire measuring tape
- No more requirement of any external marking equipment due to the unique way the attachment is designed

SPECIFICATIONS



- 100 – Our attachment to hold the marking tools
- 102 – Center slot of attachment
- 106-2 – Slot to hold pen / pencil / laser
- 200 – Measuring tape
- 202 – Scale

WORKING OF HOLDER FOR MARKING DEVICES



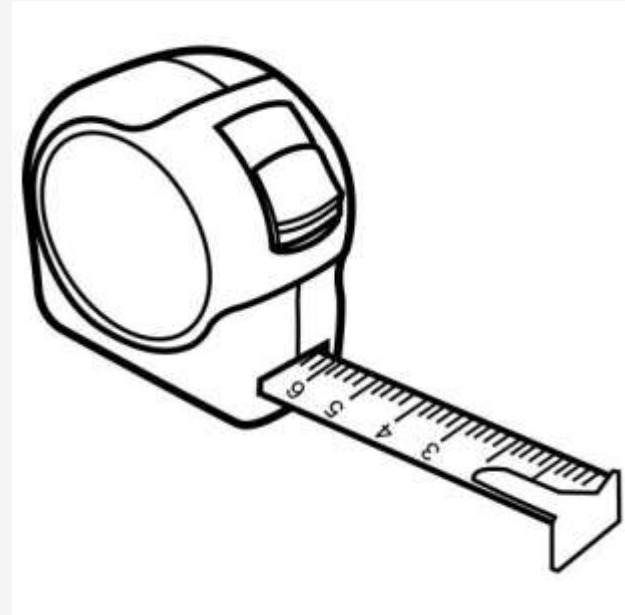
WORKING OF HOLDER FOR MARKING DEVICES

- The marking tool holder, as shown in the diagram, is Note 100. Using the central slot shown by notation 102, the holder will be attached to the measuring tape.
- The holder slides onto the tape with ease because of its application. In addition, the central slot features a self-locking mechanism.
- For projection purposes, the slot provided in Notation 104-1 can be utilized to attach chalk to a holder.
- Notation 104-2 offers a slot for attaching a clip-in holder that can accommodate a pen, pencil, marker, or laser, as shown in notation 106-2.

MARKET OPPORTUNITY

MARKET GROWTH

- The Measuring Tape market was valued at 1200 Million US\$ in 2018 and is projected to reach 1610 Million US\$ by 2025, at a CAGR of 3.8% during the forecast period.
- The global tape measure market, which includes both traditional and advanced measuring tools, is projected to grow significantly. The demand is driven by the increasing construction activities and the rise in DIY projects worldwide
- In India, the tapes market is witnessing a growth rate of approximately 6.7% annually. This growth is fueled by expanding industrial sectors and infrastructure development, creating a favorable environment for related tools and accessories



MARKET OPPORTUNITY

INDUSTRY OVERVIEW

- Demand for a product like a holder for marking devices that can be attached to any measuring tape is promising, particularly due to its utility in various industries such as construction, manufacturing, and DIY projects
- Sectors such as automotive, electrical and electronics, construction, and packaging are primary consumers of measuring tools and their accessories. The automotive industry, in particular, requires precise measurement tools for manufacturing and quality control, driving the demand for innovative solutions like your product

INVESTMENT OPPORTUNITY

- The idea behind is that it wants to enhance productivity by reducing the number of materials required during measurement.
- It aims to help by marking measurements accurately.
- It aims to help people by providing with affordability.
- The attachment holder is a cost-effective solution .
- It is based on new advanced technology and market demand.
- The need for accurate measurements to be made is a basic requirement in the construction, automotive electrical and other markets. The attachment holder is the solution to achieve that accuracy with ease and precision.

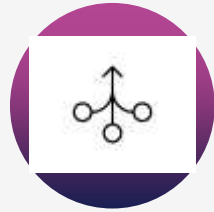
WHY HOLDER FOR MARKING DEVICES

- The product attachment will lessen the weight of having to bring along several instruments, such as a ruler, right angle, chalk, pencils etc.
- The holder makes allowances for drawing lines that are parallel or perpendicular. This will ultimately result in a lower total cost for tools that are required externally, such rulers and right angles, etc.

FEATURES:



GOAL



ATTACH AND SIMPLIFY

Our goal is to revolutionize the process of attaching measuring and marking tools to the measuring tape in a single, seamless step, simplifying the workflow for professionals



ENHANCE PRODUCTIVITY

By reducing the need for multiple marking tools, we aim to enhance user productivity and efficiency in an affordable manner



CONTACT US:

www.iiprd.com

www.khuranaandkhurana.com

licensing@iiprd.com

0120-4909201

S-378, Panchsheel Park, New Delhi - 110017



INTERNATIONAL OFFICES:

Thailand Office

Level 29, The offices at Central World 999/9 Rama Road, Patham Wan, Bangkok, Thailand 10330

Malaysia Office

A-5-10 Empire Tower, SS16/1 Subang Jaya, 47500 Selangor, Malaysia

Nepal Office

8th Floor, Trade Tower, GPO 24668, Thapathali, Kathmandu, 4460 0, Nepal

Vietnam Office

29 Truong Han Sieu Str, HaonKiem District, PO Box: 412, Hanoi, Vietnam

Indonesia Office

Graha Intermedia 3rd Floor Jl. Cempaka Putih Raya No.102, Jakarta 10510, Indonesia

US OFFICE:

1755 Eye Street NW, Washington DC 20006 (P) TEL: +1- (202) 970-1340; FAX: +1- (202) 970-1341

UAE/GCC OFFICE

First Choice Business Center, AL-Hudaiba Awards Building, Block A, Dubai, UAE

BANGLADESH OFFICE

30/3 B C Das Street, Lalbagh, Dhaka 1205, Bangladesh

SRI LANKA OFFICE

Level 35, West Tower World Trade Center, Colombo 00100, Sri Lanka

MYANMAR OFFICE

119/121, 4TH Floor, Latha Street, Latha Township, Yangon, Myanmar



INVENTOR:

Pratik Tukaram Nadhe

pratiknadhe@gmail.com



+91 7447798758

